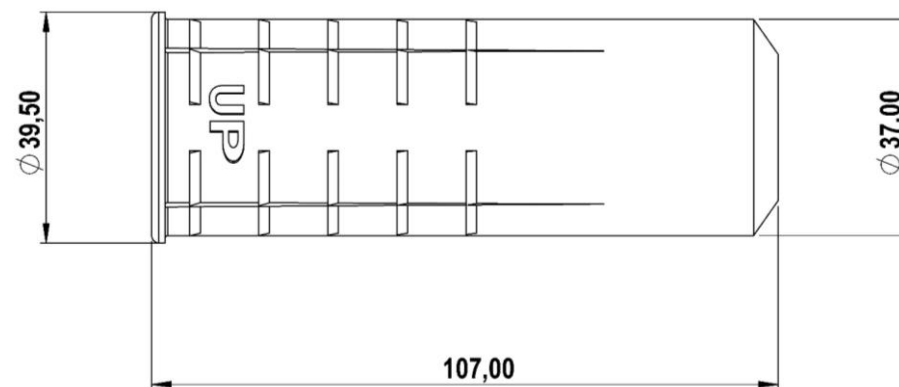


CrushGrind®
MAKE-EDGE POP-OUT

MAKE-EDGE POP-OUT

MAKE-EDGE POP-OUT



CrushGrind® MAKE-EDGE POP-OUT

The MakeEdge knife honing mechanism is fixed inside a plastic tube, which can easily be mounted inside a chopping board.

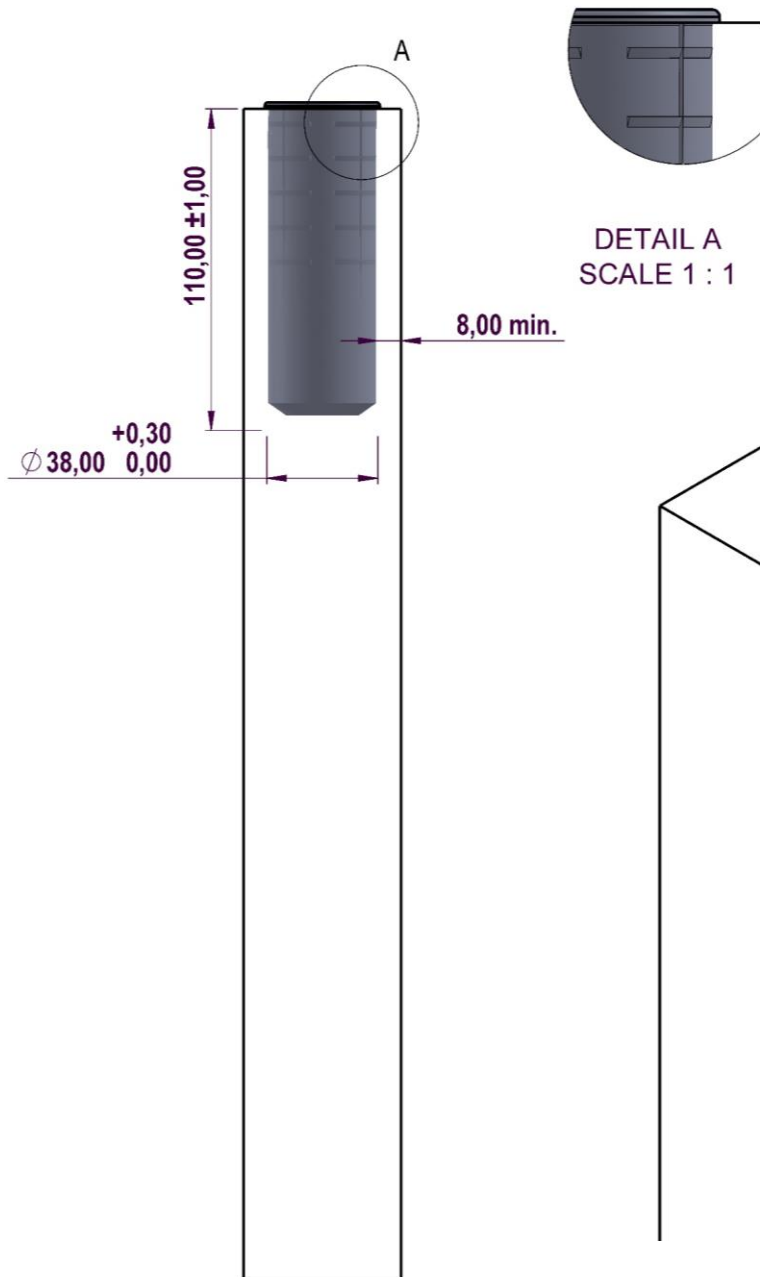
When pushed the MakeEdge pops out and is ready to use.

It can be used on both plain edged and serrated knives.

Article no.	000920-0099	No per master	100 pcs
Material	POM	Dimension of master	44 x 29 x 24 cm
Weight per unit	0,107 kg	Gross weight	11,01 kg
Country of origin	China	EAN	5712898700577

Material of finished product	Wood <input checked="" type="radio"/>	Metal* <input type="radio"/>	Plastic <input type="radio"/>	Porcelain* <input type="radio"/>
Stopper fixtures available	Regular <input type="radio"/>	Compact <input type="radio"/>	N/A <input checked="" type="radio"/>	
Ceramic cones available	Regular <input type="radio"/>	Easy <input type="radio"/>	N/A <input checked="" type="radio"/>	
Warranty on ceramic parts	N/A			
Patented technology	No			

*for mounting into these materials a plastic insert will be required.



Insert the Make-Edge mechanism into the drilled hole until the step (shown in Detail A) is pressed against the board. The text UP (shown in detail B) should face the top-side of the board.

