



Post Office Box 97
 Benton Harbor, Michigan
 Ph: 269/926-6171
 Fax: 269/925-8288

PART NUMBER:

STD387A

REV.

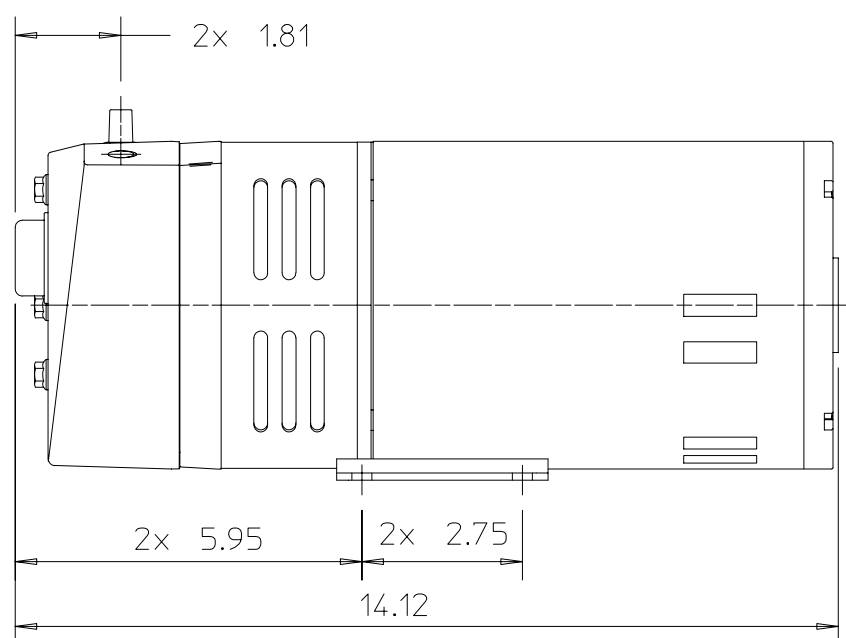
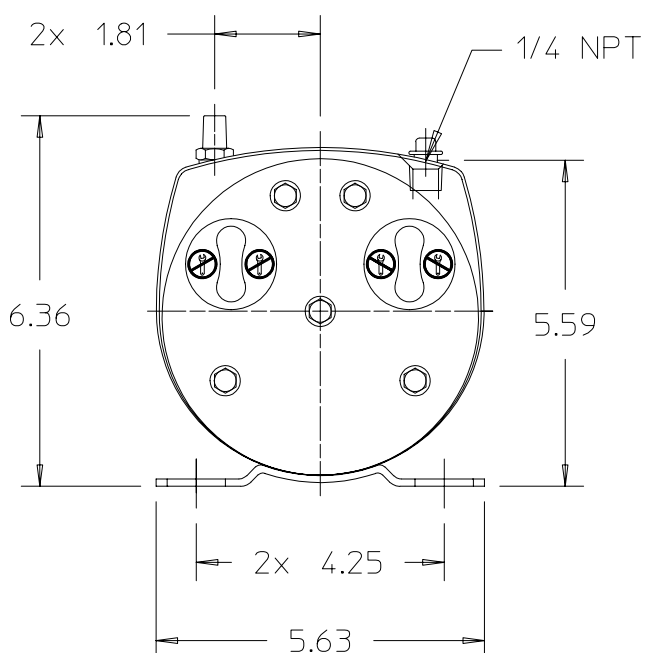
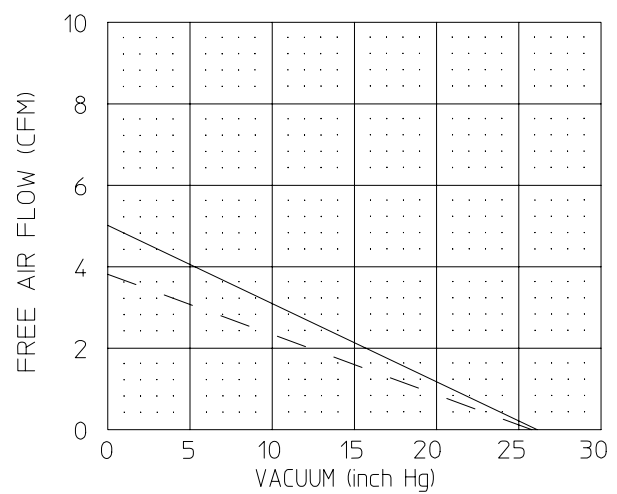
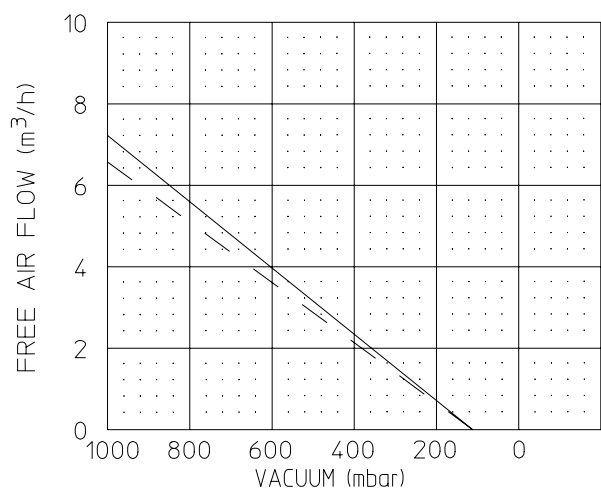
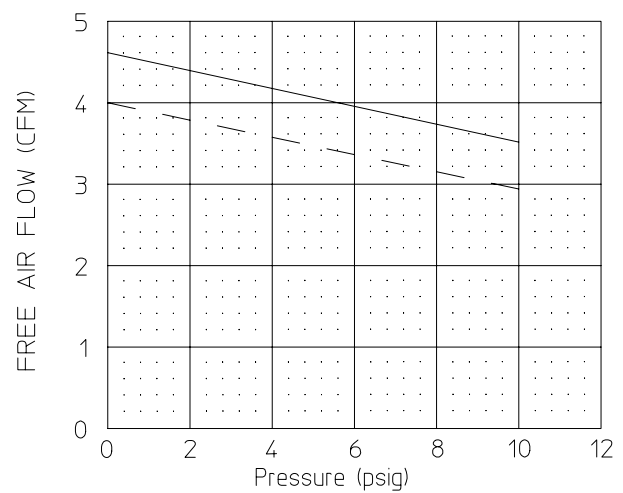
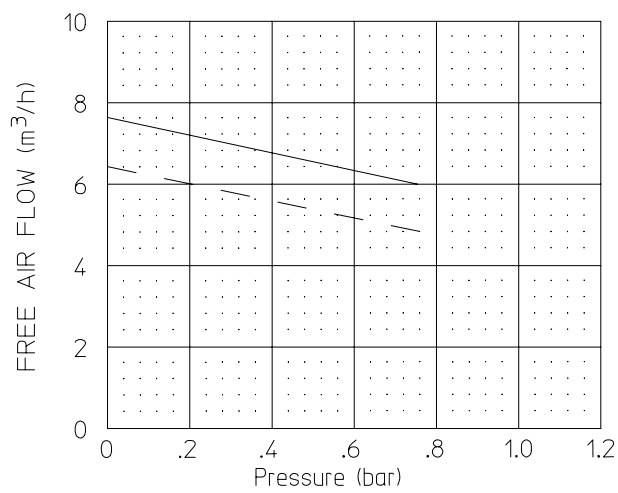
A

Product Specifications

Model Number	Motor Voltage	RPM		HP	kW	Net Wt.	
		60 cycle	50 cycle			lbs.	kg
0523-101Q-G588NDX	110-115/220-240	1725	1425	.25	0.18	30	13.6

SOUND LEVEL LESS THAN 70 dB(A)
 NORMAL AMBIENT 1°C. - 40°C.
 RELATIVE HUMIDITY 8% - 100% NON CONDENSING
 ENVIRONMENT CLEAN DUST FREE

- NOTES:
 1) TECHNICAL DATA SUBJECT TO CHANGE WITHOUT NOTICE.
 2) DIMENSIONS ARE FOR REFERENCE ONLY.
 3) DASHED LINE INDICATES 50 Hz. PERFORMANCE. SOLID LINE INDICATES 60 Hz. PERFORMANCE.



FOOT SUPPORT INCLUDED
 SHIPPED UNATTACHED

